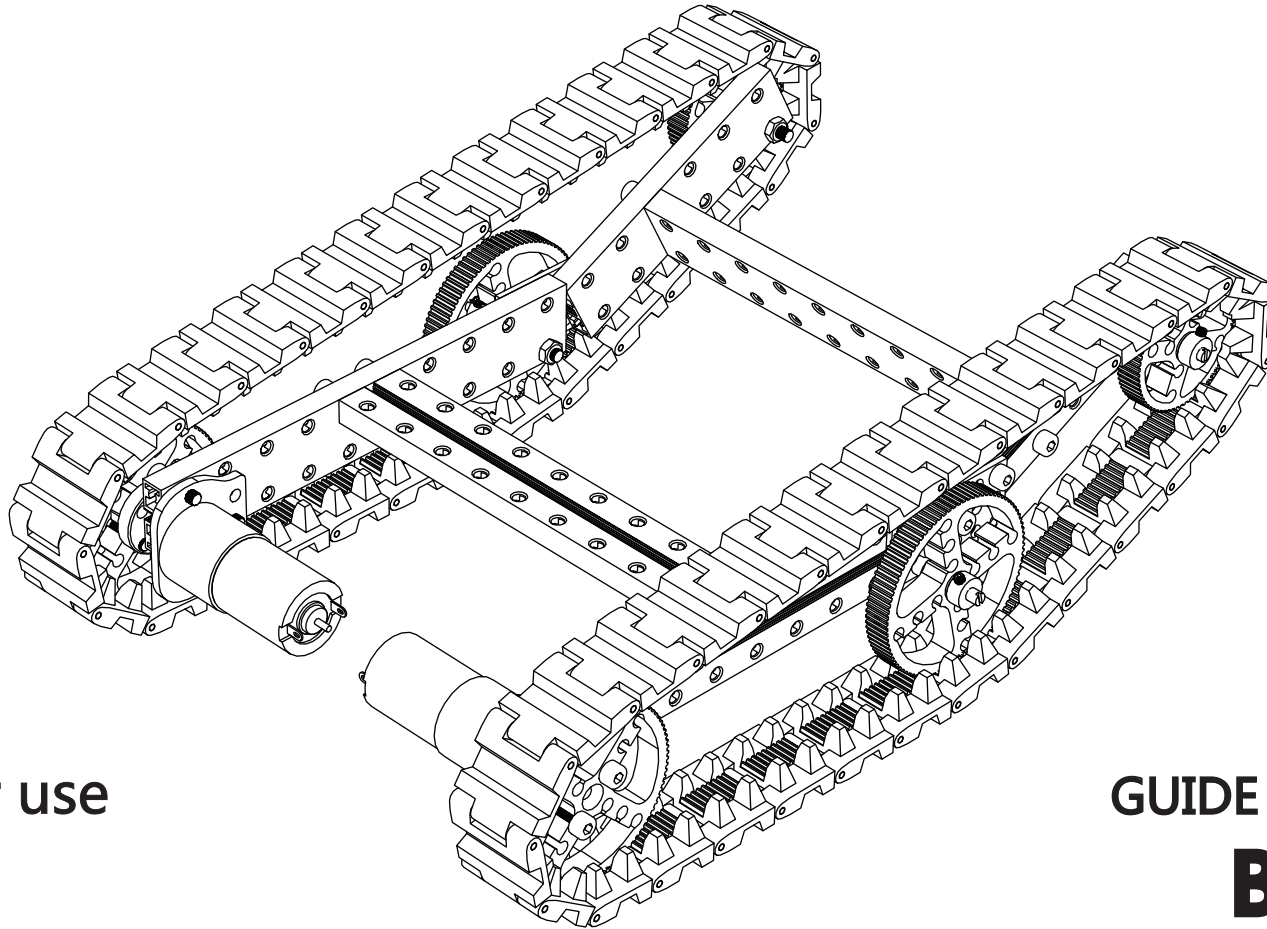


# Makeblock

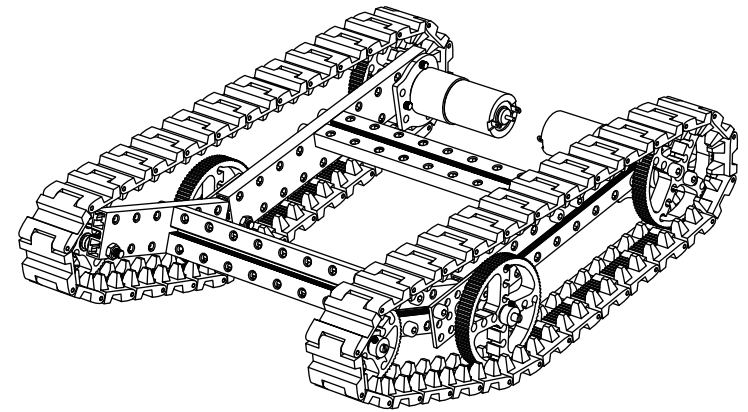
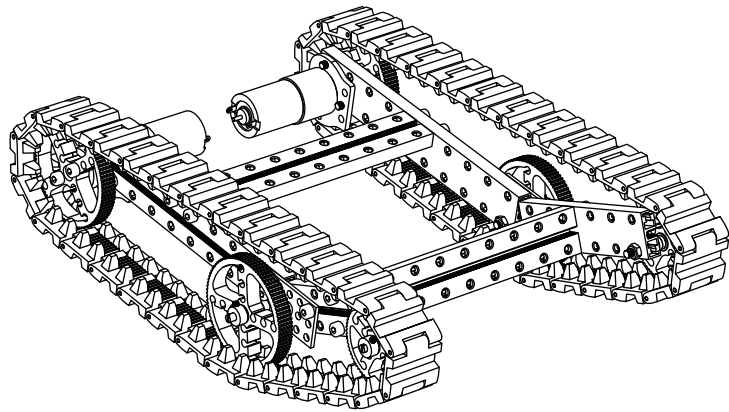
CONSTRUCT YOUR DREAMS



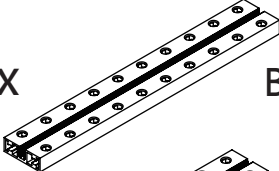
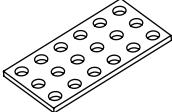

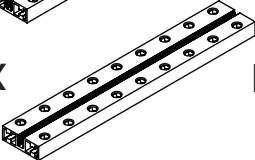


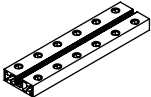
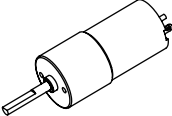









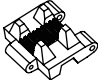


## Suitable for use

- Advanced kit
- Ultimate kit
- Lab kit

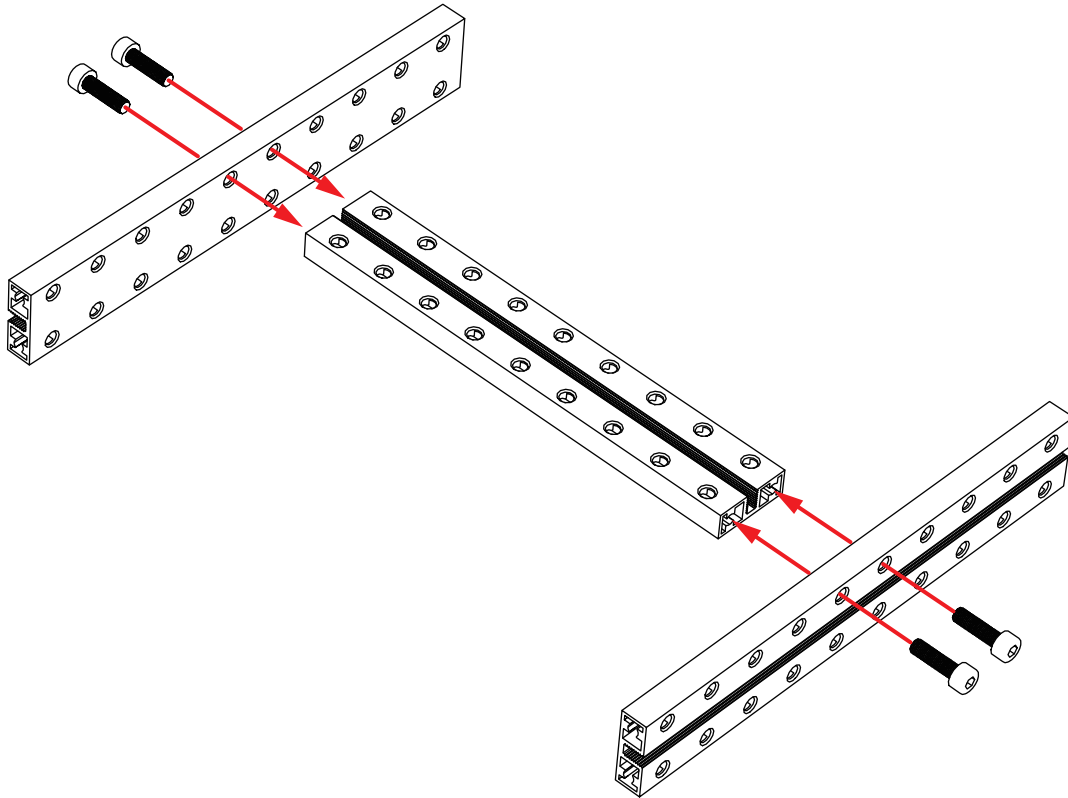
## GUIDE FOR BUILDING THE **BIG TANK**



# Part list

2x		Beam 0824-160	2x		Plate 3x6	4x		Nut M4
2x		Beam 0824-144	2x		DC Motor-25 Bracket	16x		Screw M4X14
2x		Beam 0824-96	2x		DC Motor-25	8x		Screw M4x8
4x		Timing Pulley 90T	4x		Threaded Shaft 4X31mm	4x		Countersunk Screw M3x8
2x		Timing Pulley 62T	4x		Shaft Collar 4mm	6x		Headless Screw M3x5
2x		Shaft Connector-4	8x		Flange Bearing 4x8x3mm	56x		Track
			6x		Plastic Ring 4x7x2	56x		Track Axle

1



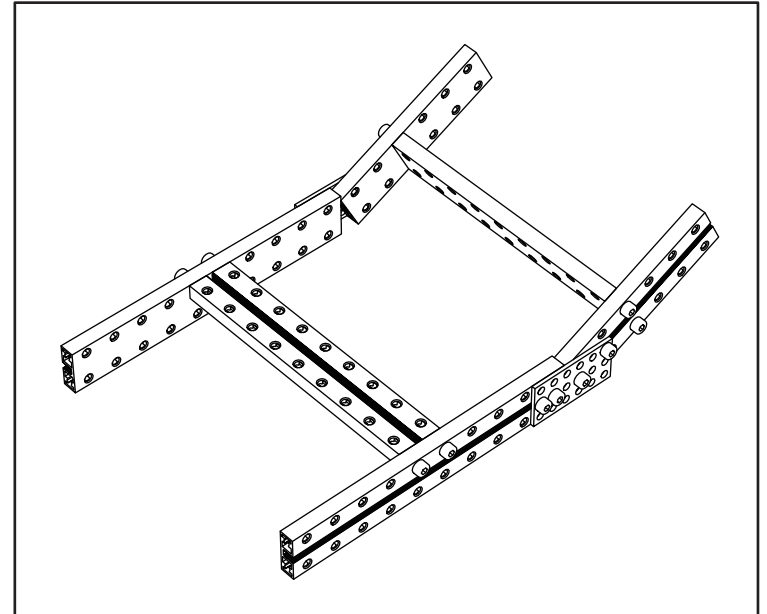
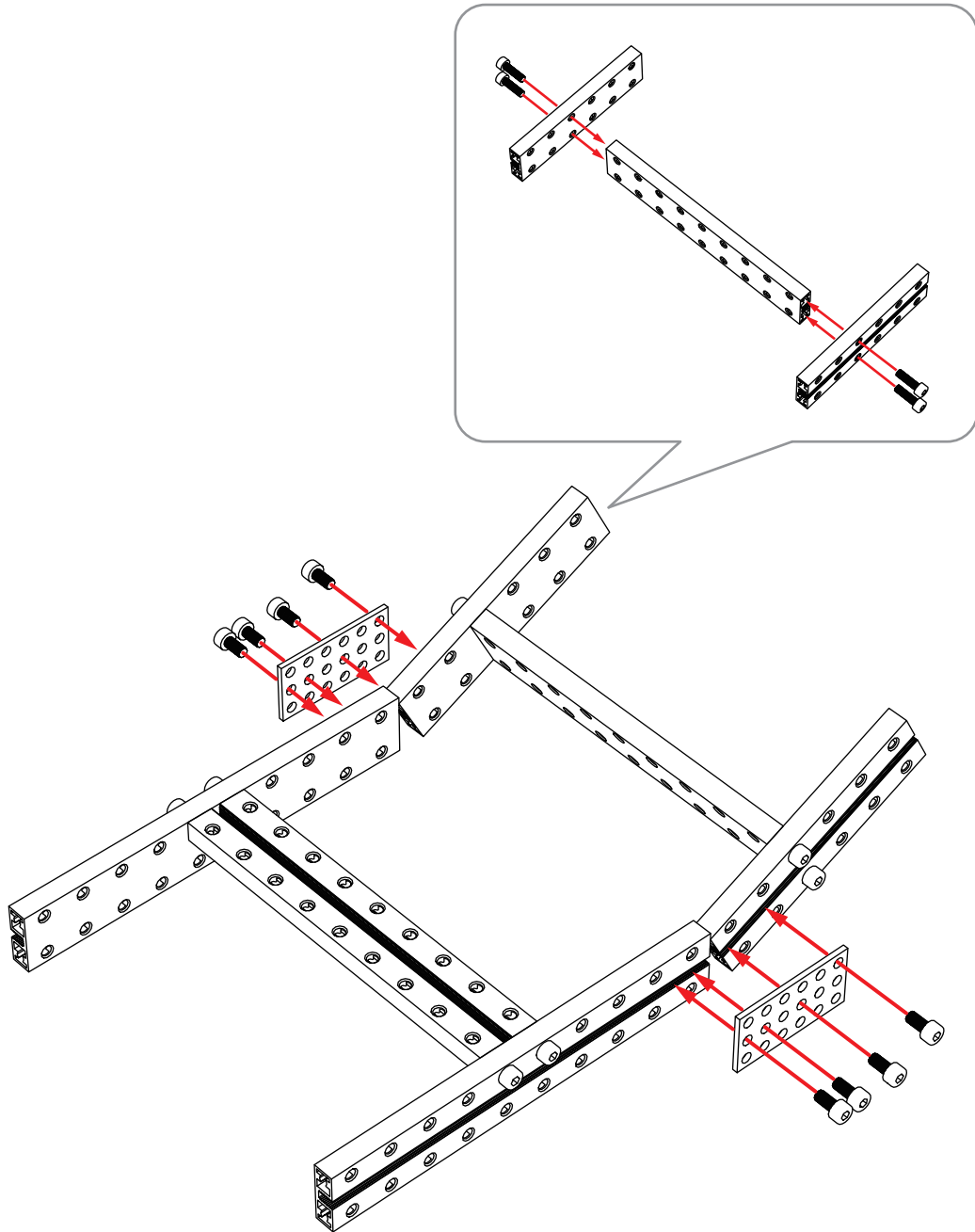
An isometric view of the assembled beam structure, showing the three beams joined together by the four screws. The structure consists of two horizontal beams and one vertical beam, forming a T-shape.

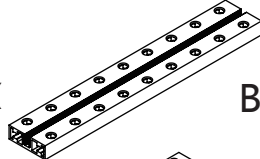
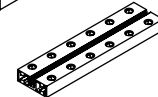
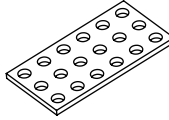


2x Beam 0824-160

1x Beam 0824-144

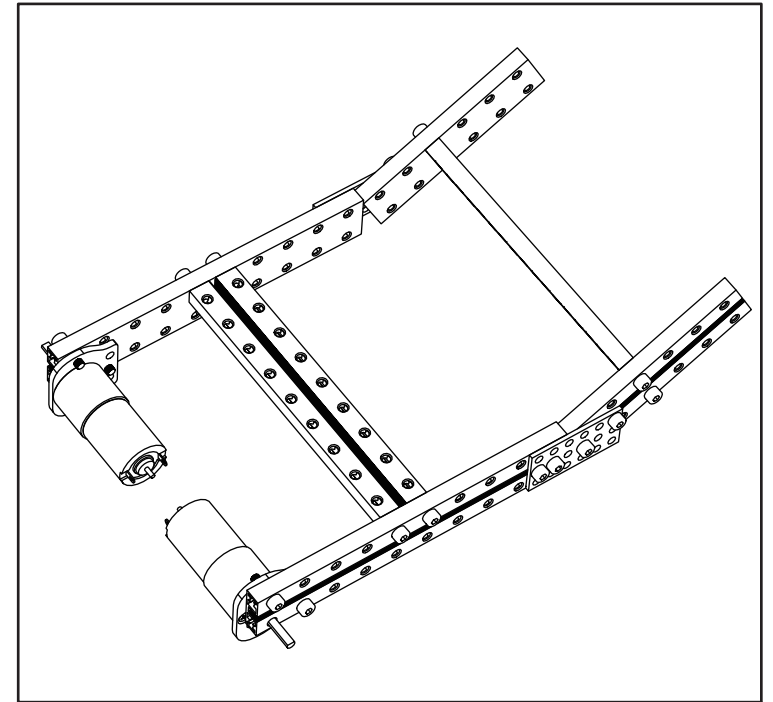
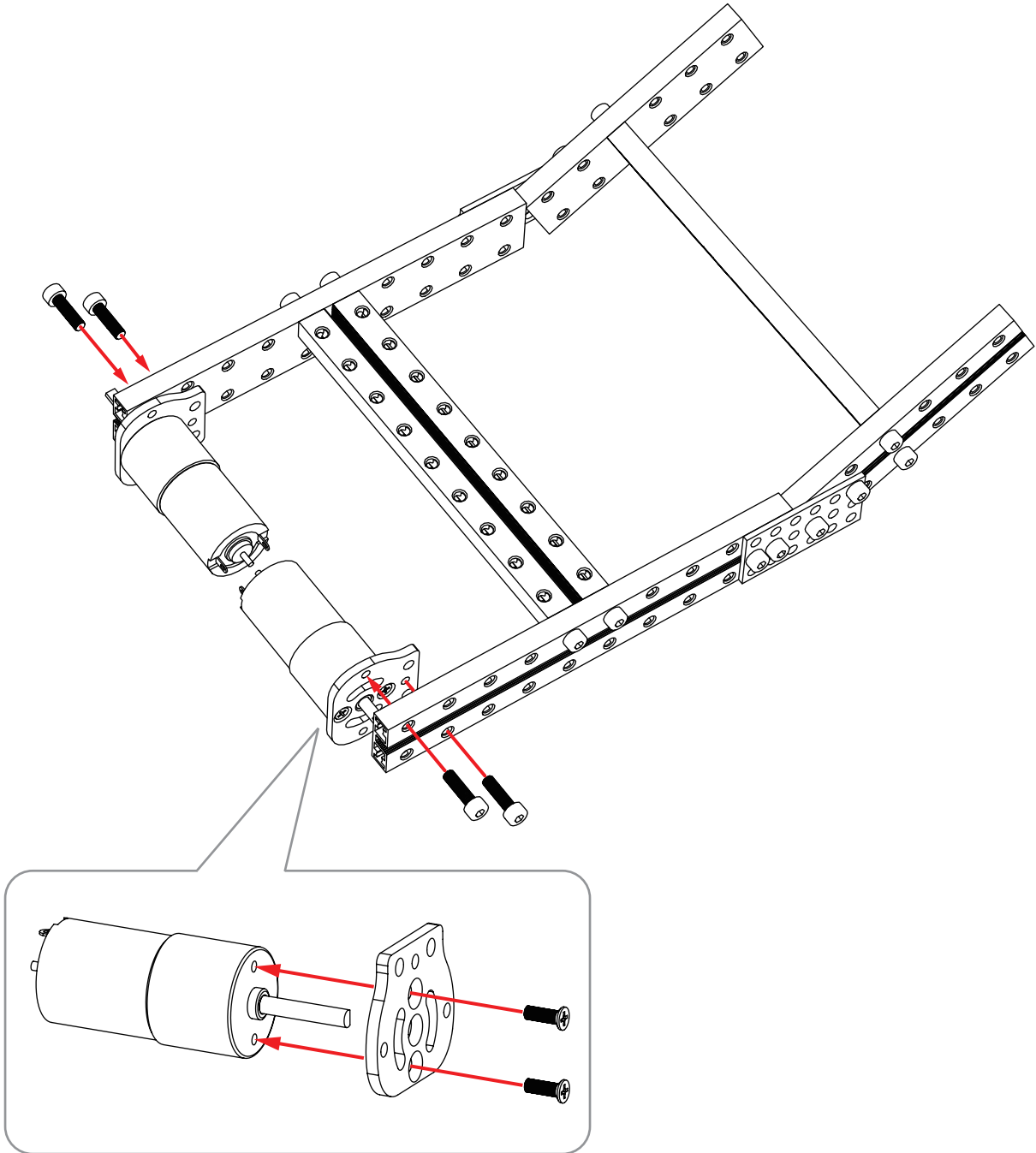
4x Screw M4X14

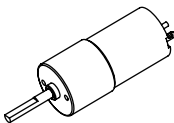



2



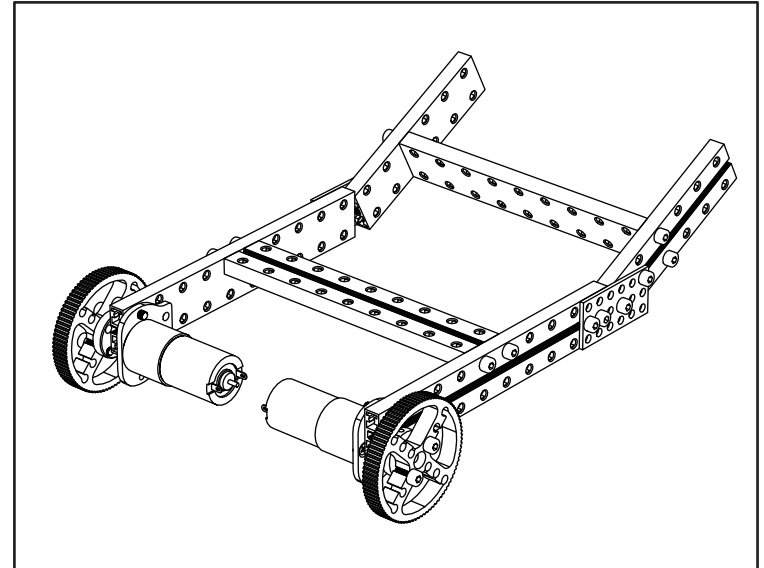
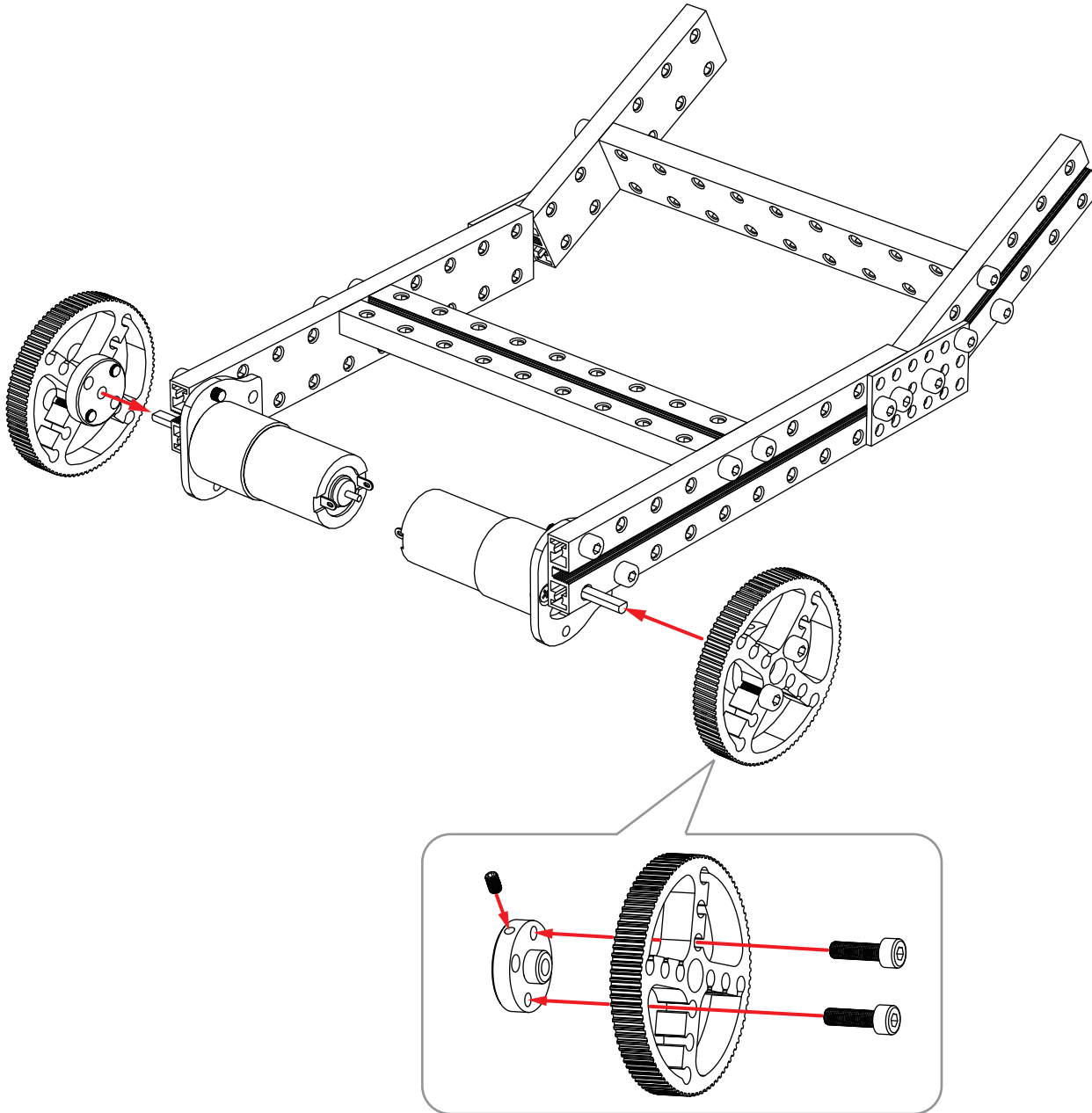
- 1x  Beam 0824-144
- 2x  Beam 0824-96
- 2x  Plate 3x6
- 4x  Screw M4X14
- 8x  Screw M4x8


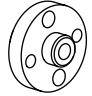


3



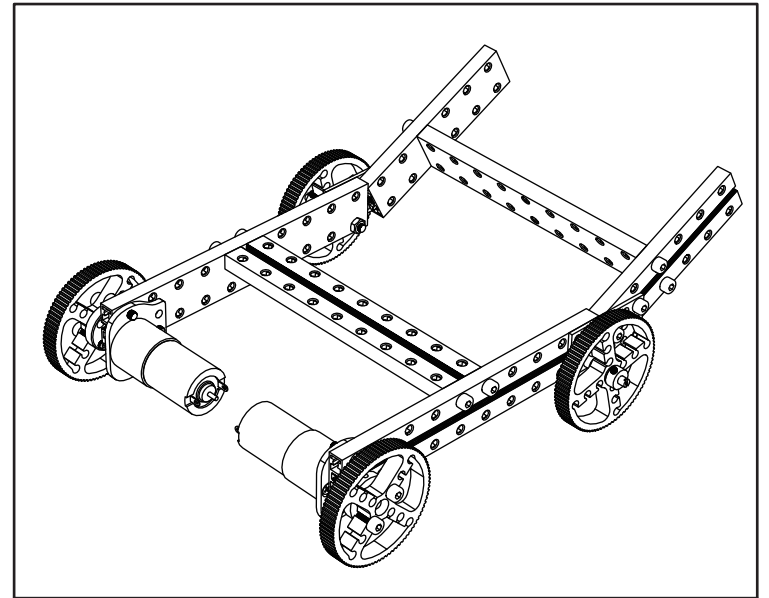
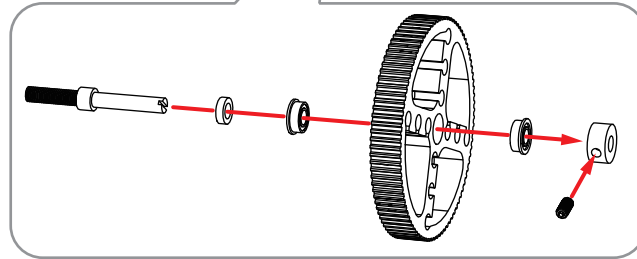
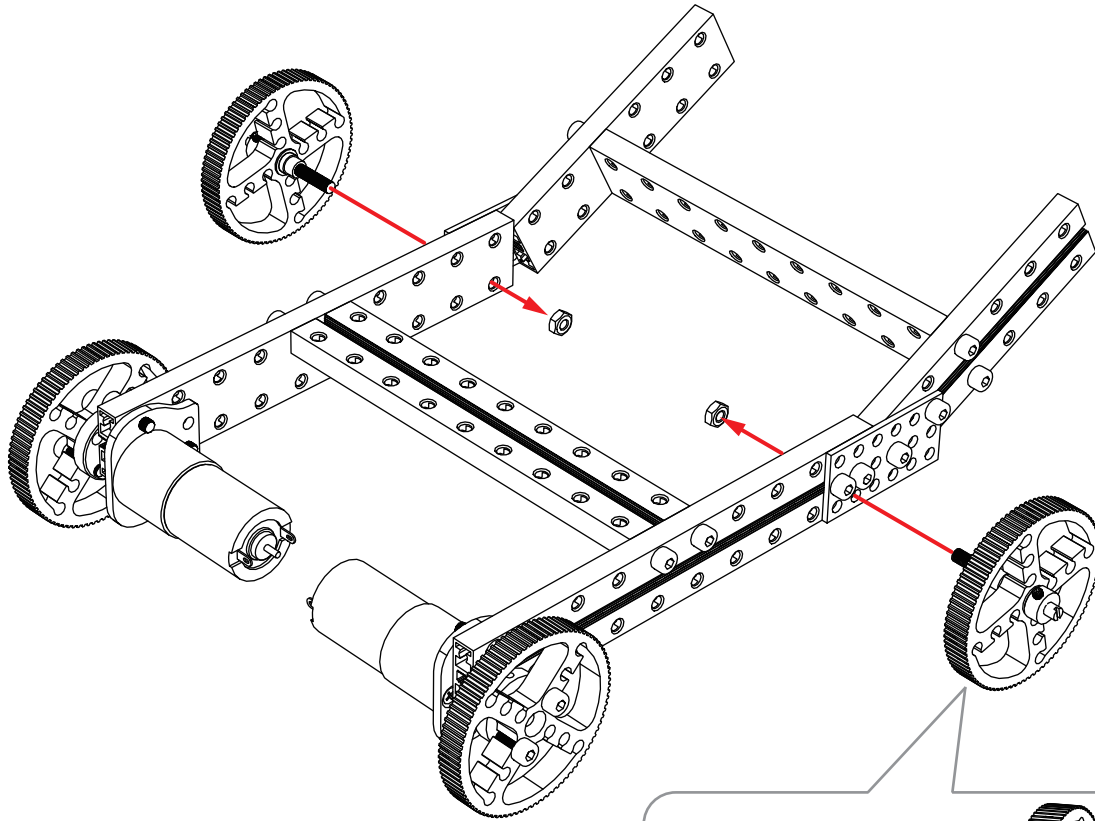
- 2x  DC Motor-25
- 2x  DC Motor-25 Bracket
- 4x  Screw M4X14
- 4x  Countersunk Screw M3x8








4



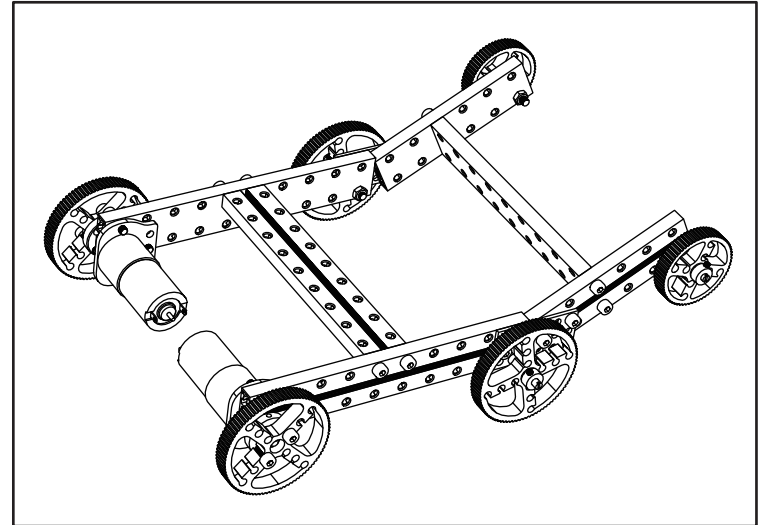
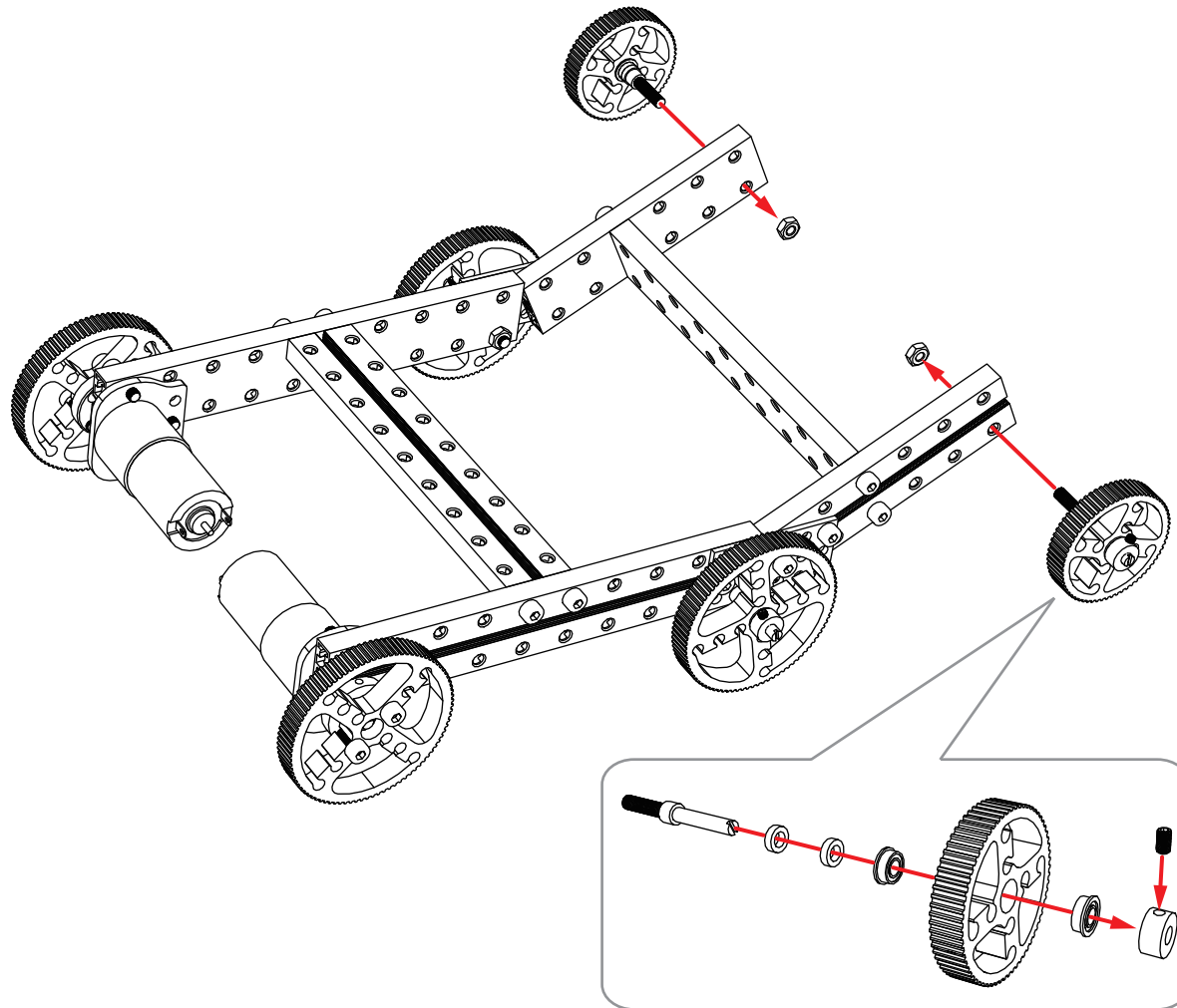
- 2x  Timing Pulley 90T
- 2x  Shaft Connector-4
- 4x  Screw M4X14
- 2x  Headless Screw M3x5








5



- 2x  Timing Pulley 90T
- 2x  Threaded Shaft 4x31mm
- 2x  Shaft Collar 4mm
- 4x  Flange Bearing 4x8x3mm
- 2x  Plastic Ring 4x7x2
- 2x  Nut M4
- 2x  Headless Screw M3x5

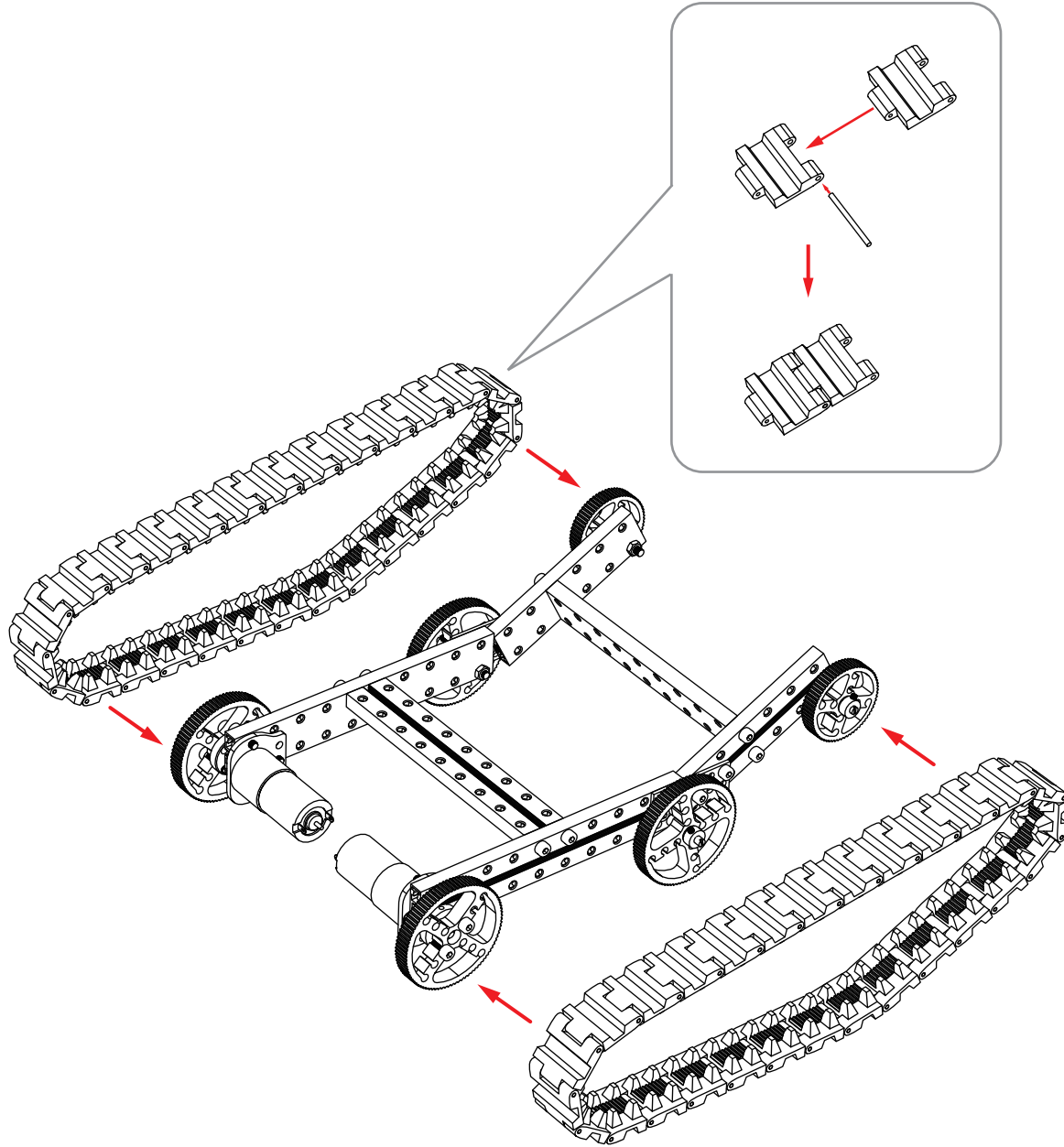
6



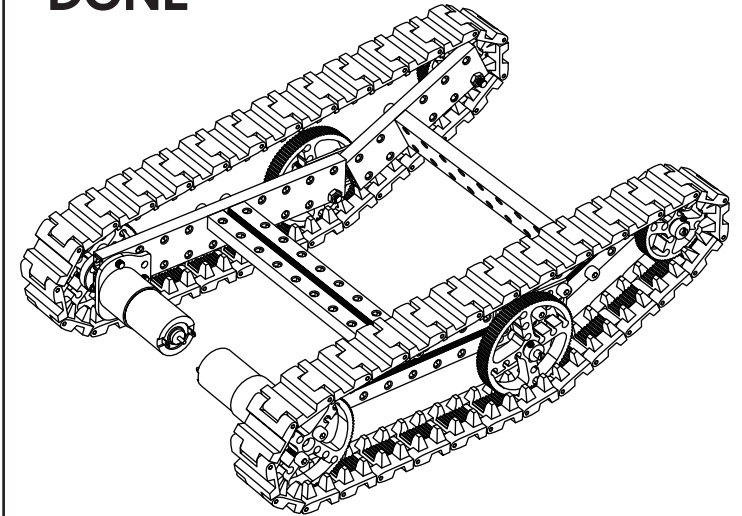
- 2x  Timing Pulley 62T
- 2x  Threaded Shaft 4X31mm
- 2x  Shaft Collar 4mm
- 4x  Flange Bearing 4x8x3mm
- 4x  Plastic Ring 4x7x2
- 2x  Nut M4
- 2x  Headless Screw M3x5



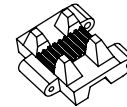
7



**DONE**



56x



Track

56x



Track Axle