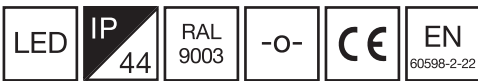


# LINESPOT II LOWBAY

LED EMERGENCY LIGHT FOR SURFACE MOUNTING IN 2-4 M HIGH AREAS, IN PARTICULAR FOR LIGHTING OF CORRIDORS



Installation video

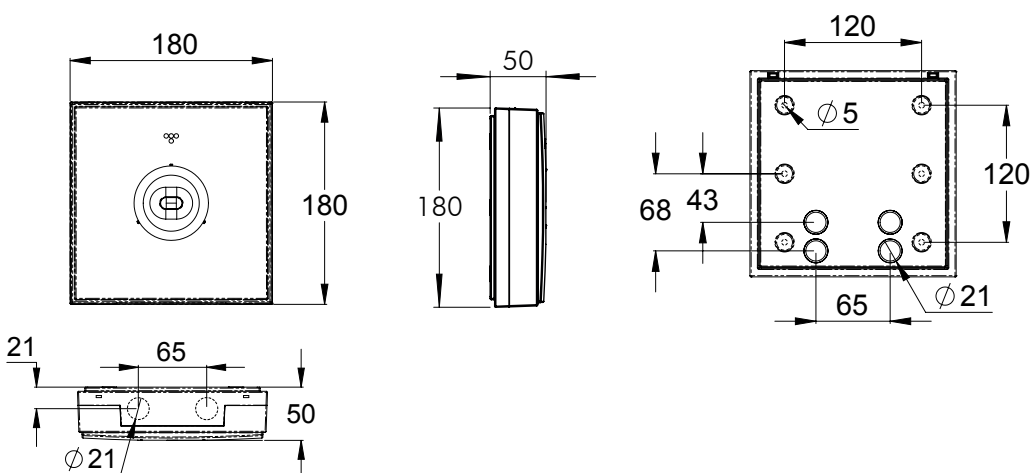


Direction of the light pattern

Linespot II Lowbay is surface mounted emergency light for 2-4 meter high areas. Luminaire makes use of LED technology. Its optics is designed to give a long and narrow light pattern that illuminates corridors and escape routes efficiently.

Thanks to the IP44 enclosure class Linespot II is also suitable for damp locations. Linespot II is easy and fast to install thanks to a separate mounting base, which is also connected to the power supply.

## DIMENSIONS



- ⊕ = Protection class of luminaire is 1
- ⊕ = Protection class of luminaire is 2
- ⊕ = Protection class of luminaire is 3
- ⊕ = Luminaire is suitable for through-wiring
- IP20 = Protection rating
- White = Colour of the body
- 3000 = Viewing distance
- LED = LED as a light source
- Aalto = Aalto Control compatible (incl. Lumi Test)
- M = Self-contained luminaire with Lumi test self-testing
- Escap = Self-contained luminaire with 1 h super capacitor backup
- C = Compatible with Tapsa Control Central Battery Unit and Local Controller
- III = compliant with the 850 glow wire test
- IC = Compatible with Intelligent Controller
- CBS = Centrally supplied

## CENTRALLY SUPPLIED LUMINAIRES

### 24-230 V CENTRALLY SUPPLIED EMERGENCY LIGHTS

Product code	Nominal supply voltage	Max input power	Luminous flux (lm)	Operation mode	Temperature range	Electrical installation	Weight (kg)
TWT9971W	24-230 V, 50/60 Hz AC,DC	24 V= 8 VA / 5 W 230 V= 10 VA / 5 W	170	CBS	-30...+50°C	24 V= 2 x 2,5 mm <sup>2</sup> 230 V= 3 x 2,5 mm <sup>2</sup> -o-	III ⊕
Y9971W	(individually packed incl. TWT9971W)						
							0,6

### ADDRESSABLE 230 V CENTRALLY SUPPLIED EMERGENCY LIGHTS

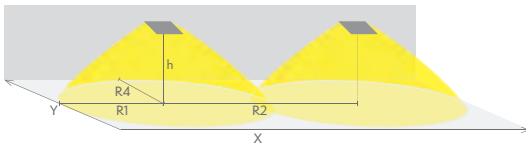


Product code	Nominal supply voltage	Max input power	Luminous flux (lm)	Operation mode	Temperature range	Electrical installation	Weight (kg)
TWT9951WK	220-240 V, 50/60 Hz AC,DC	10 VA / 5,5 W	170	CBS/ C + IC	-30...+50°C	2/3 x 2,5 mm <sup>2</sup> -o-	⊕
Y9951WK	(individually packed incl. TWT9951WK)						
							0,6

### LIGHT DISTRIBUTION TABLES

#### Emergency lighting for escape routes (ceiling mounting)

Table of 1 lux for escape routes in the middle line according to the norm EN 1838.  
Level of measurement 0,02 m, measurement result with battery operation.



R1 distance from wall (X axis)      R2 installation distance between lights (X axis)      R4 distance from wall (Y axis)

TWT9971W, TWT9951WK

Mounting height (m)	Below the light (lux)	R1 (m)	R2 (m)	R4 (m)
		1 lux	1 lux	1 lux
2,5	6,4	8	19,5	1
4	2,5	9	24	1

# LINESPOT II LOWBAY



## SELF-CONTAINED LUMINAIRES WITH SUPER CAPACITOR

### SELF-CONTAINED EMERGENCY LIGHTS WITH SUPER CAPACITOR AND WIRELESS CENTRAL MONITORING



Product code	Nominal supply voltage	Max input power	Luminous flux (lm)	Operation mode	Temperature range	Electrical installation	Weight (kg)
TWS9992WA	220-240 V, 50/60 Hz AC	3 VA during boost charge 2 VA during trickle charge	60	1 h Escap + Aalto	-25... +35°C	2/3 x 2,5 mm <sup>2</sup> -0-	0,9
Y9992WA	(individually packed incl. TWS9992WA)						
							1,0

### SELF-CONTAINED EMERGENCY LIGHTS WITH SUPER CAPACITOR AND SELF-TESTING

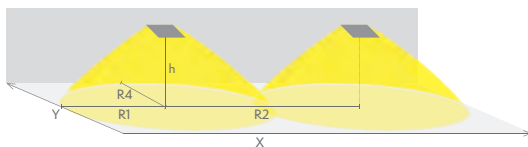


Product code	Nominal supply voltage	Max input power	Luminous flux (lm)	Operation mode	Temperature range	Electrical installation	Weight (kg)
TWS9992WM	220-240 V, 50/60 Hz AC	3 VA during boost charge 2 VA during trickle charge	60	1 h Escap + M	-25... +35°C	2/3 x 2,5 mm <sup>2</sup> -0-	0,9
Y9992WM	(individually packed incl. TWS9992WM)						
							1,0

## LIGHT DISTRIBUTION TABLES

### Emergency lighting for escape routes (ceiling mounting)

| Table of 1 lux for escape routes in the middle line according to the norm EN 1838.  
| Level of measurement 0,02 m, measurement result with battery operation.



| R1 distance from wall (X axis) | R2 installation distance between lights (X axis) | R4 distance from wall (Y axis)

#### TWS9992WA, TWS9992WM

Mounting height (m)	Below the light (lux)	R1 (m)	R2 (m)	R4 (m)
		1 lux	1 lux	1 lux
2,5	2,5	7	15	1
3	1,5	8	17	1

- ⊕ = Protection class of luminaire is 1
- ⊕ = Protection class of luminaire is 2
- ⊕ = Protection class of luminaire is 3
- ⊕ = Luminaire is suitable for through-wiring
- IP20 = Protection rating
- White = Colour of the body
- 3000 = Viewing distance
- LED = LED as a light source
- Aalto = Aalto Control compatible (incl. Lumi Test)
- M = Self-contained luminaire with Lumi test self-testing
- Escap = Self-contained luminaire with 1 h super capacitor backup
- C = Compatible with Tapsa Control Central Battery Unit and Local Controller
- 850 = compliant with the 850 glow wire test
- IC = Compatible with Intelligent Controller
- CBS = Centrally supplied

## SELF-CONTAINED LUMINAIRES WITH BATTERY

### SELF-CONTAINED EMERGENCY LIGHTS WITH 1 H BATTERY AND WIRELESS CENTRAL MONITORING



Product code	Nominal supply voltage	Max input power	Luminous flux (lm)	Operation mode	Temperature range	Electrical installation	Weight (kg)
TWT9952WA	220-240 V, 50/60 Hz AC	3 VA during boost charge 2 VA during trickle charge	170	1 h battery + Aalto	0... +35°C	2/3 x 2,5 mm <sup>2</sup> -o-	0,7
Y9952WA	(individually packed incl. TWT9952WA)						0,8

### SELF-CONTAINED EMERGENCY LIGHTS WITH 3 H BATTERY AND WIRELESS CENTRAL MONITORING

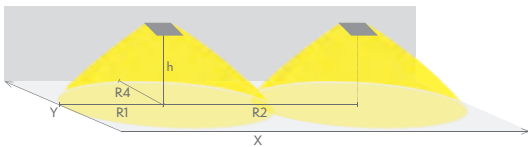


Product code	Nominal supply voltage	Max input power	Luminous flux (lm)	Operation mode	Temperature range	Electrical installation	Weight (kg)
TWT9953WA	220-240 V, 50/60 Hz AC	6 VA during boost charge 5,5 VA during trickle charge	170	3 h battery + Aalto	0... +35°C	2/3 x 2,5 mm <sup>2</sup> -o-	0,9
Y9953WA	(individually packed incl. TWT9953WA)						1,0

## LIGHT DISTRIBUTION TABLES

### Emergency lighting for escape routes (ceiling mounting)

- Table of 1 lux for escape routes in the middle line according to the norm EN 1838.
- Level of measurement 0,02 m, measurement result with battery operation.



- R1 distance from wall (X axis)
- R2 installation distance between lights (X axis)
- R4 distance from wall (Y axis)

#### TWT9952WA, TWT9953WA

Mounting height (m)	Below the light (lux)	R1 (m)	R2 (m)	R4 (m)
		1 lux	1 lux	1 lux
2,5	6,4	8	19,5	1
4	2,5	9	24	1

# LINESPOT II LOWBAY



## SELF-CONTAINED LUMINAIRES WITH BATTERY

### SELF-CONTAINED EMERGENCY LIGHTS WITH 1 H BATTERY AND SELF-TESTING



Product code	Nominal supply voltage	Max input power	Luminous flux (lm)	Operation mode	Temperature range	Electrical installation	Weight (kg)
TWT9952WM	220-240 V, 50/60 Hz AC	3 VA during boost charge 2 VA during trickle charge	170	1 h battery + M	0... +35°C	2/3 x 2,5 mm <sup>2</sup> -0-	0,7
Y9952WM	(individually packed incl. TWT9952WM)						0,8

### SELF-CONTAINED EMERGENCY LIGHTS WITH 3 H BATTERY AND SELF-TESTING

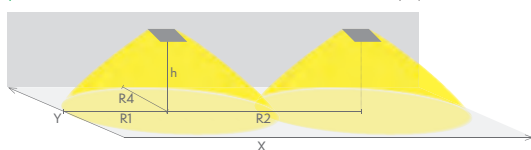


Product code	Nominal supply voltage	Max input power	Luminous flux (lm)	Operation mode	Temperature range	Electrical installation	Weight (kg)
TWT9953WM	220-240 V, 50/60 Hz AC	6 VA during boost charge 5,5 VA during trickle charge	170	3 h battery + M	0... +35°C	2/3 x 2,5 mm <sup>2</sup> -0-	0,9
Y9953WM	(individually packed incl. TWT9953WM)						1,0

## LIGHT DISTRIBUTION TABLES

### Emergency lighting for escape routes (ceiling mounting)

Table of 1 lux for escape routes in the middle line according to the norm EN 1838.  
Level of measurement 0,02 m, measurement result with battery operation.



R1 distance from wall (X axis) | R2 installation distance between lights (X axis) | R4 distance from wall (Y axis)

TWT9952WM, TWT9953WM

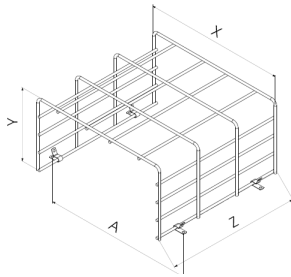
Mounting height (m)	Below the light (lux)	R1 (m)	R2 (m)	R4 (m)
		1 lux	1 lux	1 lux
2,5	6,4	8	19,5	1
4	2,5	9	24	1

- ⊕ = Protection class of luminaire is 1
- ⊞ = Protection class of luminaire is 2
- ⊟ = Protection class of luminaire is 3
- ⊠ = Luminaire is suitable for through-wiring
- IP20 = Protection rating
- White = Colour of the body
- 5000 = Viewing distance
- LED = LED as a light source
- Aalto = Aalto Control compatible (incl. Lumi Test)
- M = Self-contained luminaire with Lumi test self-testing
- Escap = Self-contained luminaire with 1 h super capacitor backup
- C = Compatible with Tapsa Control Central Battery Unit and Local Controller
- 850 = compliant with the 850 glow wire test
- IC = Compatible with Intelligent Controller
- CBS = Centrally supplied

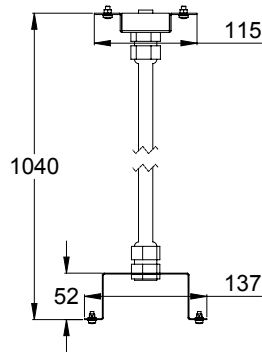
## ACCESSORIES

Product code	Product description
TW77504F	Suspension bracket
TW77507B	Shock protecting cover (dimensions: X=320, Y=165, Z=305, A=340)

SHOCK PROTECTING COVER  
TW77507B



SUSPENSION BRACKET  
TW77504F



# LINESPOT II MIDBAY

LED EMERGENCY LIGHT FOR SURFACE MOUNTING IN 3-16 M HIGH AREAS, IN PARTICULAR FOR LIGHTING OF CORRIDORS



Installation video



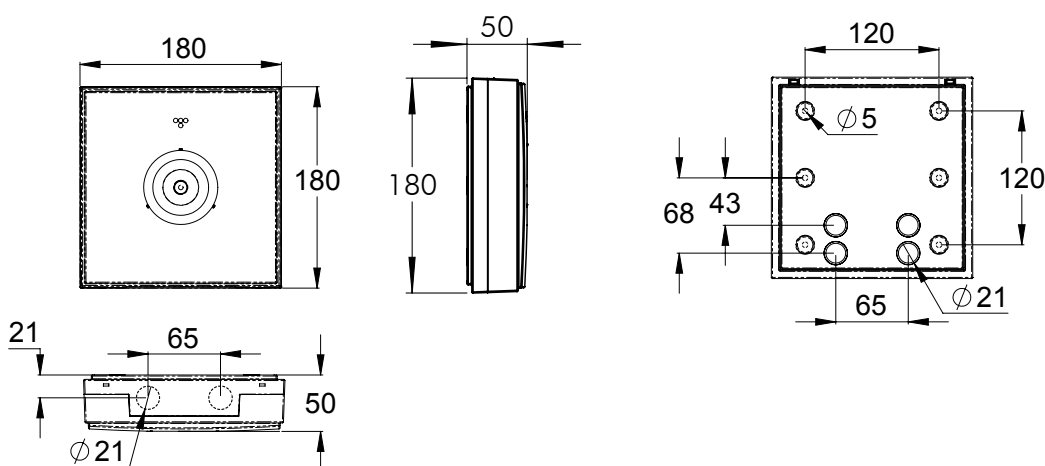
Direction of the light pattern

Linespot II Midbay is a surface-mounted emergency light, especially designed for lighting 3-10 meter high areas. High Output version, TWT8856WK is suitable for up to a 16 m installation height.

Linespot II Midbay uses the latest LED technology. Its optics is designed to give a long and narrow light pattern that illuminates corridors and escape routes efficiently.

Linespot II is also suitable for damp locations. Linespot II is easy and fast to install thanks to a separate mounting base, which is also connected to the power supply.

## DIMENSIONS



- ⊕ = Protection class of luminaire is 1
- ⊞ = Protection class of luminaire is 2
- ⊞ = Protection class of luminaire is 3
- ⊞ = Luminaire is suitable for through-wiring
- IP20 = Protection rating
- White = Colour of the body
- 3000 = Viewing distance
- LED = LED as a light source
- Aalto = Aalto Control compatible (incl. Lumi Test)
- M = Self-contained luminaire with Lumi test self-testing
- Escap = Self-contained luminaire with 1 h super capacitor backup
- C = Compatible with Tapsa Control Central Battery Unit and Local Controller
- 850 = compliant with the 850 glow wire test
- IC = Compatible with Intelligent Controller
- CBS = Centrally supplied

## CENTRALLY SUPPLIED LUMINAIRES

### 24-230V CENTRALLY SUPPLIED EMERGENCY LIGHTS

Product code	Nominal supply voltage	Max input power	Luminous flux (lm)	Operation mode	Temperature range	Electrical installation	Weight (kg)
TWT8871W	24-230 V, 50/60 Hz AC,DC	24 V= 8 VA / 5 W 230 V= 10 VA / 5 W	175	CBS	-30...+50°C	24 V= 2 x 2,5 mm <sup>2</sup> 230 V= 3 x 2,5 mm <sup>2</sup> -o-	0,5
Y8871W	(individually packed incl. TWT8871W)						0,6

### ADDRESSABLE 230 V CENTRALLY SUPPLIED EMERGENCY LIGHTS



Product code	Nominal supply voltage	Max input power	Luminous flux (lm)	Operation mode	Temperature range	Electrical installation	Weight (kg)
TWT8851WK	220-240 V, 50/60 Hz AC,DC	10 VA / 5,5 W	175	CBS/ C + IC	-30...+50°C	2/3 x 2,5 mm <sup>2</sup> -o-	0,5
Y8851WK	(individually packed incl. TWT8851WK)						0,6
TWT8856WK	220-240 V, 50/60 Hz AC,DC	22 VA / 12 W	555 HIGH OUTPUT	CBS/ C + IC	-30...+50°C	2/3 x 2,5 mm <sup>2</sup> -o-	0,5
Y8856WK	(individually packed incl. TWT8856WK)						

### LIGHT DISTRIBUTION TABLES

#### Emergency lighting for escape routes (ceiling mounting)

Table of 1 lux for escape routes in the middle line according to the norm EN 1838:  
Level of measurement 0,02 m, measurement result with battery operation.



R1 distance from wall (X axis)  
R2 installation distance between lights (X axis)  
R4 distance from wall (Y axis)

#### TWT8851WK, TWT8871W

Mounting height (m)	Below the light (lux)	R1 (m)	R2 (m)	R4 (m)
		1 lux	1 lux	1 lux
3	31	5	11	1
4	17	6,5	15	1
6	7	7	18	1
8	4	8	19	1
10	2	8	20	1

#### TWT8856WK

Mounting height (m)	Below the light (lux)	R1 (m)	R2 (m)	R4 (m)
		1 lux	1 lux	1 lux
4	37	6,5	15	1
6	16	7	18	1
8	9	8	19	1
10	6	8	20	1
12	4	10	22	1
14	2,5	9,5	20	1
16	1,5	8,5	18	1



# LINESPOT II MIDBAY



## SELF-CONTAINED LUMINAIRES WITH SUPER CAPACITOR

### SELF-CONTAINED EMERGENCY LIGHTS WITH SUPER CAPACITOR AND WIRELESS CENTRAL MONITORING



Product code	Nominal supply voltage	Max input power	Luminous flux (lm)	Operation mode	Temperature range	Electrical installation	Weight (kg)
TWS8892WA	220-240 V, 50/60 Hz AC	3 VA during boost charge 2 VA during trickle charge	60	1 h Escap + Aalto	-25... +35°C	2/3 x 2,5 mm <sup>2</sup> □ -o-	0,9
Y8892WA	(individually packed incl. TWS8892WA)						1,0

### SELF-CONTAINED EMERGENCY LIGHTS WITH SUPER CAPACITOR AND SELF-TESTING

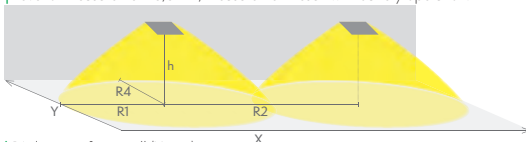


Product code	Nominal supply voltage	Max input power	Luminous flux (lm)	Operation mode	Temperature range	Electrical installation	Weight (kg)
TWS8892WM	220-240 V, 50/60 Hz AC	3 VA during boost charge 2 VA during trickle charge	60	1 h Escap + M	-25... +35°C	2/3 x 2,5 mm <sup>2</sup> □ -o-	0,9
Y8892WM	(individually packed incl. TWS8892WM)						1,0

## LIGHT DISTRIBUTION TABLES

### Emergency lighting for escape routes (ceiling mounting)

Table of 1 lux for escape routes in the middle line according to the norm EN 1838.1  
Level of measurement 0,02 m, measurement result with battery operation.



R1 distance from wall (X axis)      R2 installation distance between lights (X axis)      R4 distance from wall (Y axis)

#### TWS8892WA, TWS8892WM

Mounting height (m)	Below the light (lux)	R1 (m)	R2 (m)	R4 (m)
		1 lux	1 lux	1 lux
2,5	11	3,5	8	1
3	8	3,5	9	1
4	4,5	4	10	1
6	2	4	11	1
8	1,1	3	11	1

- ⊕ = Protection class of luminaire is 1
- ⊕ = Protection class of luminaire is 2
- ⊕ = Protection class of luminaire is 3
- ⊕ = Luminaire is suitable for through-wiring
- IP20 = Protection rating
- White = Colour of the body
- 3000 = Viewing distance
- LED = LED as a light source
- Aalto = Aalto Control compatible (incl. Lumi Test)
- M = Self-contained luminaire with Lumi test self-testing
- Escap = Self-contained luminaire with 1 h super capacitor backup
- C = Compatible with Tapsa Control Central Battery Unit and Local Controller
- 850 = compliant with the 850 glow wire test
- IC = Compatible with Intelligent Controller
- CBS = Centrally supplied

## SELF-CONTAINED LUMINAIRES WITH BATTERY

### SELF-CONTAINED EMERGENCY LIGHTS WITH 1 H BATTERY AND WIRELESS CENTRAL MONITORING



Product code	Nominal supply voltage	Max input power	Luminous flux (lm)	Operation mode	Temperature range	Electrical installation	Weight (kg)
TWT8852WA	220-240 V, 50/60 Hz AC	3 VA during boost charge 2 VA during trickle charge	175	1 h battery + Aalto	0... +35°C	2/3 x 2,5 mm <sup>2</sup>	0,7
Y8852WA	(individually packed incl. TWT8852WA)						0,8

### SELF-CONTAINED EMERGENCY LIGHTS WITH 3 H BATTERY AND WIRELESS CENTRAL MONITORING

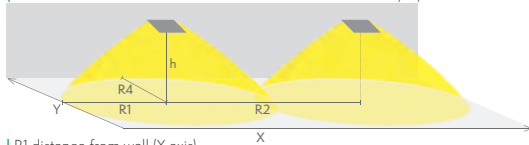


Product code	Nominal supply voltage	Max input power	Luminous flux (lm)	Operation mode	Temperature range	Electrical installation	Weight (kg)
TWT8853WA	220-240 V, 50/60 Hz AC	6 VA during boost charge 5,5 VA during trickle charge	175	3 h battery + Aalto	0... +35°C	2/3 x 2,5 mm <sup>2</sup>	0,9
Y8853WA	(individually packed incl. TWT8853WA)						1,0

### LIGHT DISTRIBUTION TABLES

#### Emergency lighting for escape routes (ceiling mounting)

Table of 1 lux for escape routes in the middle line according to the norm EN 1838.1  
Level of measurement 0,02 m, measurement result with battery operation.



R1 distance from wall (X axis) | R2 installation distance between lights (X axis) | R4 distance from wall (Y axis)

TWT8852WA, TWT8853WA

Mounting height (m)	Below the light (lux)	R1 (m)	R2 (m)	R4 (m)
		1 lux	1 lux	1 lux
3	31	5	11	1
4	17	6,5	15	1
6	7	7	18	1
8	4	8	19	1
10	2	8	20	1

# LINESPOT II MIDBAY



## SELF-CONTAINED LUMINAIRES WITH BATTERY

### SELF-CONTAINED EMERGENCY LIGHTS WITH 1 H BATTERY AND SELF-TESTING



Product code	Nominal supply voltage	Max input power	Luminous flux (lm)	Operation mode	Temperature range	Electrical installation	Weight (kg)
TWT8852WM	220-240 V, 50/60 Hz AC	3 VA during boost charge 2 VA during trickle charge	175	1 h battery + M	0... +35°C	2/3 x 2,5 mm <sup>2</sup> -o-	0,7
Y8852WM	(individually packed incl. TWT8852WM)						0,8

### SELF-CONTAINED EMERGENCY LIGHTS WITH 3 H BATTERY AND SELF-TESTING



Product code	Nominal supply voltage	Max input power	Luminous flux (lm)	Operation mode	Temperature range	Electrical installation	Weight (kg)
TWT8853WM	220-240 V, 50/60 Hz AC	6 VA during boost charge 5,5 VA during trickle charge	175	3 h battery + M	0... +35°C	2/3 x 2,5 mm <sup>2</sup> -o-	0,9
Y8853WM	(individually packed incl. TWT8853WM)						1,0

## LIGHT DISTRIBUTION TABLES

### Emergency lighting for escape routes (ceiling mounting)

Table of 1 lux for escape routes in the middle line according to the norm EN 1838.1  
Level of measurement 0,02 m, measurement result with battery operation.



R1 distance from wall (X axis) | R2 installation distance between lights (X axis) | R4 distance from wall (Y axis)

TWT8852WM, TWT8853WM

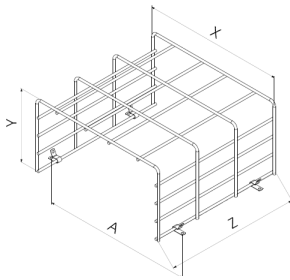
Mounting height (m)	Below the light (lux)	R1 (m)	R2 (m)	R4 (m)
		1 lux	1 lux	1 lux
3	31	5	11	1
4	17	6,5	15	1
6	7	7	18	1
8	4	8	19	1
10	2	8	20	1

⊕ = Protection class of luminaire is 1    IP20 = Protection rating    Aalto = Aalto Control compatible (incl. Lumi Test)    850 = compliant with the 850 glow wire test  
 ⊞ = Protection class of luminaire is 2    RAL = Colour of the body    M = Self-contained luminaire with Lumi test self-testing    IC = Compatible with Intelligent Controller  
 ⊛ = Protection class of luminaire is 3    5000 = Viewing distance    Escap = Self-contained luminaire with 1 h super capacitor backup    CBS = Centrally supplied  
 ⊞ = Luminaire is suitable for through-wiring    LED = LED as a light source    C = Compatible with Tapsa Control Central Battery Unit and Local Controller

## ACCESSORIES

Product code	Product description
TW77504F	Suspension bracket
TW77507B	Shock protecting cover (dimensions: X=320, Y=165, Z=305, A=340)

SHOCK PROTECTING COVER  
TW77507B



SUSPENSION BRACKET  
TW77504F

