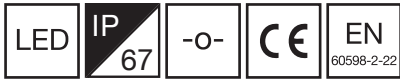


ROBUST 86

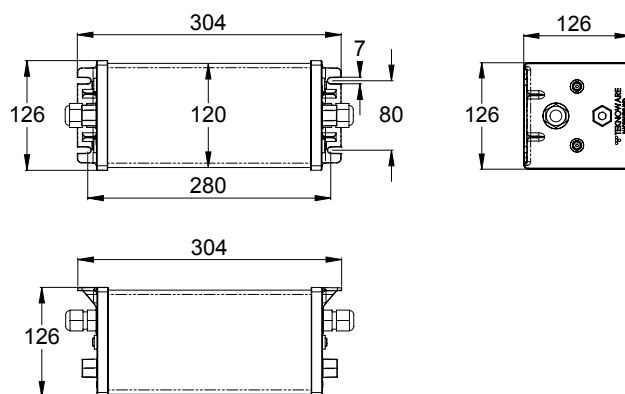
IP67 LED EMERGENCY LIGHT FOR SURFACE MOUNTING TO THE CEILING



Robust 86 is a LED emergency light for surface mounting to the ceiling. It has an especially robust design and a metal body.

With their high IP class and a very rugged construction, the luminaires are suitable for demanding environments, such as damp locations, industry and tunnels.

DIMENSIONS



= Protection class of luminaire is 1
 = Protection rating
Aalto = Aalto Control compatible (incl. Lumi Test)
 = compliant with the 850 glow wire test
 = Protection class of luminaire is 2
 = Colour of the body
M = Self-contained luminaire with Lumi test self-testing
IC = Compatible with Intelligent Controller
 = Protection class of luminaire is 3
 = Viewing distance
Escap = Self-contained luminaire with 1 h super capacitor backup
CBS = Centrally supplied
 = Luminaire is suitable for through-wiring
 = LED as a light source
C = Compatible with Tapsa Control Central Battery Unit and Local Controller

CENTRALLY SUPPLIED LUMINAIRES



ADDRESSABLE 230 V CENTRALLY SUPPLIED EMERGENCY LIGHTS

Product code	Nominal supply voltage	Max input power	Luminous flux (lm)	Operation mode	Temperature range	Electrical installation	Weight (kg)
TWT8651WK	220-240 V AC/DC	40 VA / 18 W	900	CBS + C + IC	-30... +50°C	3 x 2,5 mm ² -0-	1,3