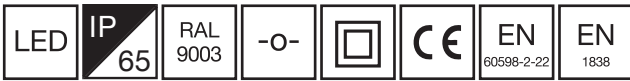


# SOLID ZONE LOWBAY

IP65 LED EMERGENCY LIGHT FOR OPEN AREAS



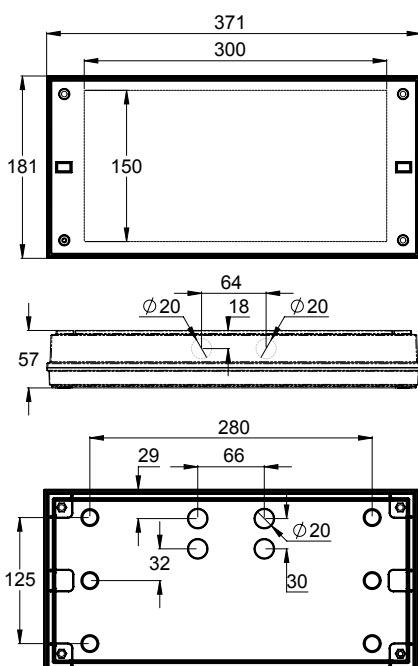
SOLID Zone Lowbay has been developed for the emergency lighting of open areas.

High enclosure class (IP65) ensures that the luminaire is completely dust proof and water proof.

SOLID Zone Lowbay is suitable for example for industrial premises, parking halls and outdoor use. The SOLID luminaire uses long lasting leds as its light source.

Special attention has been paid to the design, for easy installation.

## DIMENSIONS



- ⊕ = Protection class of luminaire is 1
- ⊞ = Protection class of luminaire is 2
- ⊟ = Protection class of luminaire is 3
- ⊠ = Luminaire is suitable for through-wiring
- IP20 = Protection rating
- Col = Colour of the body
- View = Viewing distance
- LED = LED as a light source
- Aalto = Aalto Control compatible (incl. Lumi Test)
- M = Self-contained luminaire with Lumi test self-testing
- Escap = Self-contained luminaire with 1 h super capacitor backup
- C = Compatible with Tapsa Control Central Battery Unit and Local Controller
- 850 = compliant with the 850 glow wire test
- IC = Compatible with Intelligent Controller
- CBS = Centrally supplied

## CENTRALLY SUPPLIED LUMINAIRES

### 24-230 V CENTRALLY SUPPLIED EMERGENCY LIGHTS

Product code	Nominal supply voltage	Max input power	Luminous flux (lm)	Operation mode	Temperature range	Electrical installation	Weight (kg)
TWT3271W	24-230 V, 50/60 Hz AC,DC	24 V= 7,8 VA / 5,5 W 230 V= 4,5 VA / 6,5 W	460	CBS	-30... +50°C	24 V= 2 x 2,5 mm <sup>2</sup> 230 V= 3 x 2,5 mm <sup>2</sup> -0-	1,1
Y3271W	(individually packed incl. TWT3271W)						1,3

### ADDRESSABLE 230 V CENTRALLY SUPPLIED EMERGENCY LIGHTS

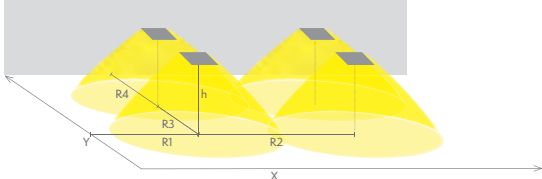


Product code	Nominal supply voltage	Max input power	Luminous flux (lm)	Operation mode	Temperature range	Electrical installation	Weight (kg)
TWT3251WK	220-240 V, 50/60 Hz AC	14 VA / 8,5 W	460	CBS / C + IC	-30... +50°C	2/3 x 2,5 mm <sup>2</sup> -0-	1,1
Y3251WK	(individually packed incl. TWT3251WK)						1,3

## LIGHT DISTRIBUTION TABLES

### Emergency lighting for open areas (ceiling mounting)

Table of 0,5 lux for open areas according to the norm EN 1838, 0,5 m edge district is considered in the table.  
Level of measurement 0,02 m, measurement result with battery operation.



R1 distance from wall (X axis) | R3 installation distance between lights (Y axis)  
R2 installation distance between lights (X axis) | R4 distance from wall (Y axis)

TWT3271W, TWT3251WK

Mounting height (m)	Below the light (lux)	R1 (m)	R2 (m)	R3 (m)	R4 (m)
		0,5 lux	0,5 lux	0,5 lux	0,5 lux
2,5	9	6,5	12	12	6,5
3	6	7	13	13	7
4	3,5	7,5	14	14	7,5
6	1,5	8	15	15	8

# SOLID ZONE LOWBAY



## SELF-CONTAINED LUMINAIRES WITH SUPER CAPACITOR

### SELF-CONTAINED EMERGENCY LIGHTS WITH SUPER CAPACITOR AND WIRELESS CENTRAL MONITORING



Product code	Nominal supply voltage	Max input power	Luminous flux (lm)	Operation mode	Temperature range	Electrical installation	Weight (kg)
TWS3292WA	220-240 V, 50/60 Hz AC	3 VA	94	1 h Escap + Aalto	-25... +35°C	2/3 x 2,5 mm <sup>2</sup> -o-	1,5
Y3292WA	(individually packed incl. TWS3292WA)						

### SELF-CONTAINED EMERGENCY LIGHTS WITH SUPER CAPACITOR AND SELF-TESTING



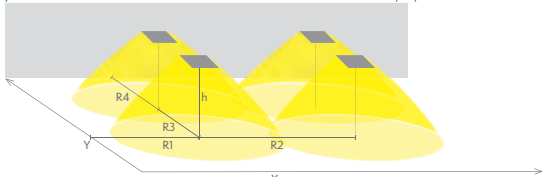
Product code	Nominal supply voltage	Max input power	Luminous flux (lm)	Operation mode	Temperature range	Electrical installation	Weight (kg)
TWS3292WM	220-240 V, 50/60 Hz AC	3 VA	94	1 h Escap + M	-25... +35°C	2/3 x 2,5 mm <sup>2</sup> -o-	1,5
Y3292WM	(individually packed incl. TWS3292WM)						

## LIGHT DISTRIBUTION TABLES

### Emergency lighting for open areas (ceiling mounting)

Table of 0,5 lux for open areas according to the norm EN 1838.  
0,5 m edge district is considered in the table.

Level of measurement 0,02 m, measurement result with battery operation.



R1 distance from wall (X axis) | R2 installation distance between lights (X axis)  
R3 installation distance between lights (Y axis) | R4 distance from wall (Y axis)

TWS3292WA, TWS3292WM

Mounting height (m)	Below the light (lux)	R1 (m)	R2 (m)	R3 (m)	R4 (m)
		0,5 lux	0,5 lux	0,5 lux	0,5 lux
2,5	2	5	9	9	5
3	1,5	4	9,5	9,5	4

- ⊕ = Protection class of luminaire is 1
- ⊕ = Protection class of luminaire is 2
- ⊕ = Protection class of luminaire is 3
- ⊕ = Luminaire is suitable for through-wiring
- IP20 = Protection rating
- White = Colour of the body
- 3000 = Viewing distance
- LED = LED as a light source
- Aalto = Aalto Control compatible (incl. Lumi Test)
- M = Self-contained luminaire with Lumi test self-testing
- Escap = Self-contained luminaire with 1 h super capacitor backup
- C = Compatible with Tapsa Control Central Battery Unit and Local Controller
- 850 = compliant with the 850 glow wire test
- IC = Compatible with Intelligent Controller
- CBS = Centrally supplied

## SELF-CONTAINED LUMINAIRES WITH BATTERY

### SELF-CONTAINED EMERGENCY LIGHTS WITH 1 H BATTERY AND WIRELESS CENTRAL MONITORING



Product code	Nominal supply voltage	Max input power	Luminous flux (lm)	Operation mode	Temperature range	Electrical installation	Weight (kg)
TWT3252WA	220-240 V, 50/60 Hz AC		460	1 h battery + Aalto	0... +35°C	2/3 x 2,5 mm <sup>2</sup> -o-	1,5
Y3252WA	(individually packed incl. TWT3252WA)						

### SELF-CONTAINED EMERGENCY LIGHTS WITH 3 H BATTERY AND WIRELESS CENTRAL MONITORING

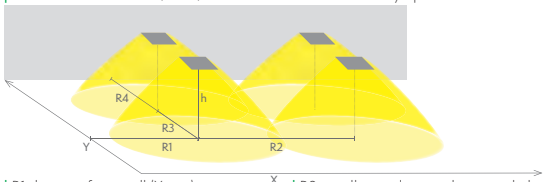


Product code	Nominal supply voltage	Max input power	Luminous flux (lm)	Operation mode	Temperature range	Electrical installation	Weight (kg)
TWT3253WA	220-240 V, 50/60 Hz AC		460	3 h battery + Aalto	0... +35°C	2/3 x 2,5 mm <sup>2</sup> -o-	1,5
Y3253WA	(individually packed incl. TWT3253WA)						

## LIGHT DISTRIBUTION TABLES

### Emergency lighting for open areas (ceiling mounting)

Table of 0,5 lux for open areas according to the norm EN 1838, 0,5 m edge district is considered in the table. Level of measurement 0,02 m, measurement result with battery operation.



R1 distance from wall (X axis) | R2 installation distance between lights (X axis)  
 R3 installation distance between lights (Y axis) | R4 distance from wall (Y axis)

TWT3252WA, TWT3253WA

Mounting height (m)	Below the light (lux)	R1 (m)	R2 (m)	R3 (m)	R4 (m)
		0,5 lux	0,5 lux	0,5 lux	0,5 lux
2,5	9	6,5	12	12	6,5
3	6	7	13	13	7
4	3,5	7,5	14	14	7,5
6	1,5	8	15	15	8

# SOLID ZONE LOWBAY



## SELF-CONTAINED LUMINAIRES WITH BATTERY

### SELF-CONTAINED EMERGENCY LIGHTS WITH 1 H BATTERY AND SELF-TESTING



Product code	Nominal supply voltage	Max input power	Luminous flux (lm)	Operation mode	Temperature range	Electrical installation	Weight (kg)
TWT3252WM	220-240 V, 50/60 Hz AC		460	1 h battery + M	0... +35°C	2/3 x 2,5 mm <sup>2</sup> -o-	1,5
Y3252WM	(individually packed incl. TWT3252WM)						

### SELF-CONTAINED EMERGENCY LIGHTS WITH 3 H BATTERY AND SELF-TESTING



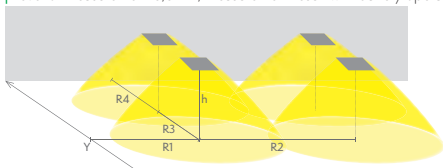
Product code	Nominal supply voltage	Max input power	Luminous flux (lm)	Operation mode	Temperature range	Electrical installation	Weight (kg)
TWT3253WM	220-240 V, 50/60 Hz AC		460	3 h battery + M	0... +35°C	2/3 x 2,5 mm <sup>2</sup> -o-	1,5
Y3253WM	(individually packed incl. TWT3253WM)						

## LIGHT DISTRIBUTION TABLES

### Emergency lighting for open areas (ceiling mounting)

Table of 0,5 lux for open areas according to the norm EN 1838.  
0,5 m edge district is considered in the table.

Level of measurement 0,02 m, measurement result with battery operation.



R1 distance from wall (X axis) | R2 installation distance between lights (X axis)  
R3 installation distance between lights (Y axis) | R4 distance from wall (Y axis)

TWT3253WA, TWT3252WM

Mounting height (m)	Below the light (lux)	R1 (m)	R2 (m)	R3 (m)	R4 (m)
		0,5 lux	0,5 lux	0,5 lux	0,5 lux
2,5	9	6,5	12	12	6,5
3	6	7	13	13	7
4	3,5	7,5	14	14	7,5
6	1,5	8	15	15	8

# SOLID ZONE MIDBAY

IP65 LED EMERGENCY LIGHT FOR OPEN AREAS



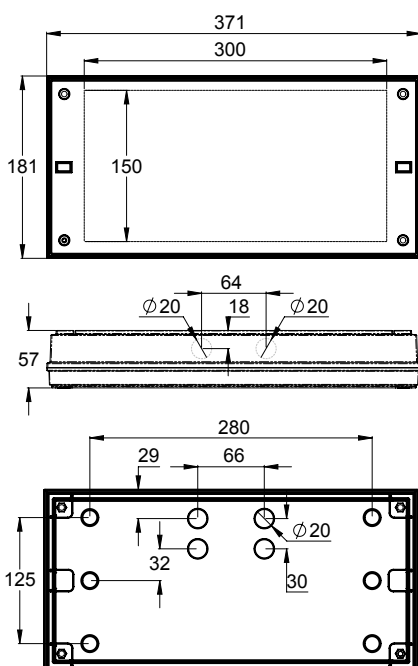
Designed for emergency lighting in open areas, SOLID Zone Midbay is an emergency light with a IP65 enclosure.

The luminaire is completely dust proof and water proof, so it is suitable for example for industrial premises, parking halls, as well as for outdoor use.

The SOLID luminaire uses long lasting leds as its light source.

Special attention has been paid to the design, for easy installation.

## DIMENSIONS



- ⊕ = Protection class of luminaire is 1
- ⊞ = Protection class of luminaire is 2
- ⊞ = Protection class of luminaire is 3
- ⊞ = Luminaire is suitable for through-wiring
- IP20 = Protection rating
- White = Colour of the body
- 3000K = Viewing distance
- LED = LED as a light source
- Aalto = Aalto Control compatible (incl. Lumi Test)
- M = Self-contained luminaire with Lumi test self-testing
- Escap = Self-contained luminaire with 1 h super capacitor backup
- C = Compatible with Tapsa Control Central Battery Unit and Local Controller
- 850 = compliant with the 850 glow wire test
- IC = Compatible with Intelligent Controller
- CBS = Centrally supplied

## CENTRALLY SUPPLIED LUMINAIRES

### 24-230 V CENTRALLY SUPPLIED EMERGENCY LIGHTS

Product code	Nominal supply voltage	Max input power	Luminous flux (lm)	Operation mode	Temperature range	Electrical installation	Weight (kg)
TWT3671W	24-230 V, 50/60 Hz AC,DC	24 V= 7,5 VA / 4,5 W 230 V= 10 VA / 5 W	450	CBS	-30... +50°C	24 V= 2 x 2,5 mm <sup>2</sup> 230 V= 3 x 2,5 mm <sup>2</sup> -o-	1,1
Y3671W	(individually packed incl. TWT3271W)						1,3

### ADDRESSABLE 230 V CENTRALLY SUPPLIED EMERGENCY LIGHTS

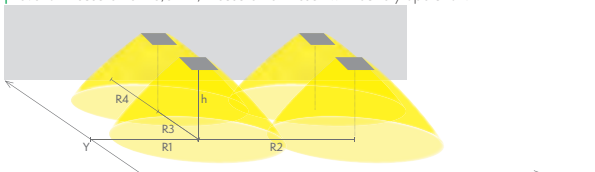


Product code	Nominal supply voltage	Max input power	Luminous flux (lm)	Operation mode	Temperature range	Electrical installation	Weight (kg)
TWT3651WK	220-240 V, 50/60 Hz AC	14 VA / 8,5 W	450	CBS / C + IC	-30... +50°C	2/3 x 2,5 mm <sup>2</sup> -o-	1,1
Y3651WK	(individually packed incl. TWT3651WK)						1,3

### LIGHT DISTRIBUTION TABLES

#### Emergency lighting for open areas (ceiling mounting)

Table of 0,5 lux for open areas according to the norm EN 1838,  
0,5 m edge district is considered in the table.  
Level of measurement 0,02 m, measurement result with battery operation.



R1 distance from wall (X axis)      R3 installation distance between lights (Y axis)  
R2 installation distance between lights (X axis)      R4 distance from wall (Y axis)

TWT3671W, TWT3651WK

Mounting height (m)	Below the light (lux)	R1 (m)	R2 (m)	R3 (m)	R4 (m)
		0,5 lux	0,5 lux	0,5 lux	0,5 lux
4	25	5,5	10	10	5,5
6	11	6,5	12	12	6,5
8	6	7,5	14	14	7,5
10	4	7,5	14	14	7,5
12	2,5	8	15	15	8
14	2	8,5	16	16	8,5
16	1,5	8,5	16	16	8,5

# SOLID ZONE MIDBAY



## SELF-CONTAINED LUMINAIRES WITH SUPER CAPACITOR

### SELF-CONTAINED EMERGENCY LIGHTS WITH SUPER CAPACITOR AND WIRELESS CENTRAL MONITORING



Product code	Nominal supply voltage	Max input power	Luminous flux (lm)	Operation mode	Temperature range	Electrical installation	Weight (kg)
TWS3692WA	220-240 V, 50/60 Hz AC	3 VA	93	1 h Escap + Aalto	-25... +35°C	2/3 x 2,5 mm <sup>2</sup> -0-	1,5
Y3692WA	(individually packed incl. TWS3692WA)						

### SELF-CONTAINED EMERGENCY LIGHTS WITH SUPER CAPACITOR AND SELF-TESTING



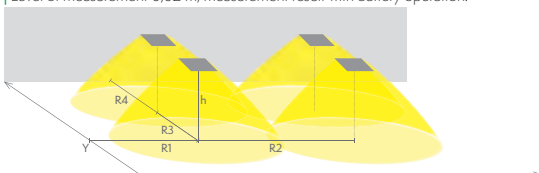
Product code	Nominal supply voltage	Max input power	Luminous flux (lm)	Operation mode	Temperature range	Electrical installation	Weight (kg)
TWS3692WM	220-240 V, 50/60 Hz AC	3 VA	93	1 h Escap + M	-25... +35°C	2/3 x 2,5 mm <sup>2</sup> -0-	1,5
Y3692WM	(individually packed incl. TWS3692WM)						

## LIGHT DISTRIBUTION TABLES

### Emergency lighting for open areas (ceiling mounting)

Table of 0,5 lux for open areas according to the norm EN 1838, 0,5 m edge district is considered in the table.

Level of measurement 0,02 m, measurement result with battery operation.



R1 distance from wall (X axis) | R3 installation distance between lights (Y axis)  
 R2 installation distance between lights (X axis) | R4 distance from wall (Y axis)

#### TWS3692WA, TWS3692WM

Mounting height (m)	Below the light (lux)	R1 (m)	R2 (m)	R3 (m)	R4 (m)
		0,5 lux	0,5 lux	0,5 lux	0,5 lux
2,5	9	2	6	6	2
3	6,5	2	6,5	6,5	2
4	4	2,5	7	7	2,5
6	2	3	8,5	8,5	3
8	1	3,5	9	9	3,5



- ⊕ = Protection class of luminaire is 1
- ⊞ = Protection class of luminaire is 2
- ⊞ = Protection class of luminaire is 3
- ⊞ = Luminaire is suitable for through-wiring
- IP20 = Protection rating
- White = Colour of the body
- 3000K = Viewing distance
- LED = LED as a light source
- Aalto = Aalto Control compatible (incl. Lumi Test)
- M = Self-contained luminaire with Lumi test self-testing
- Escap = Self-contained luminaire with 1 h super capacitor backup
- C = Compatible with Tapsa Control Central Battery Unit and Local Controller
- 850 = compliant with the 850 glow wire test
- IC = Compatible with Intelligent Controller
- CBS = Centrally supplied

## SELF-CONTAINED LUMINAIRES WITH BATTERY

### SELF-CONTAINED EMERGENCY LIGHTS WITH 1 H BATTERY AND WIRELESS CENTRAL MONITORING



Product code	Nominal supply voltage	Max input power	Luminous flux (lm)	Operation mode	Temperature range	Electrical installation	Weight (kg)
TWT3652WA	220-240 V, 50/60 Hz AC		450	1 h battery + Aalto	0... +35°C	2/3 x 2,5 mm <sup>2</sup> -0-	1,5
Y3652WA	(individually packed incl. TWT3652WA)						

### SELF-CONTAINED EMERGENCY LIGHTS WITH 3 H BATTERY AND WIRELESS CENTRAL MONITORING

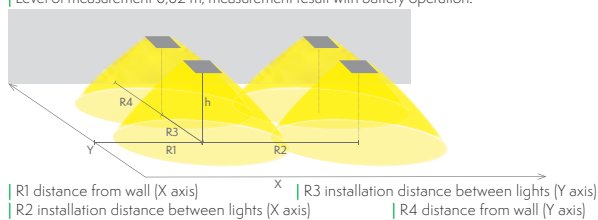


Product code	Nominal supply voltage	Max input power	Luminous flux (lm)	Operation mode	Temperature range	Electrical installation	Weight (kg)
TWT3653WA	220-240 V, 50/60 Hz AC		450	3 h battery + Aalto	0... +35°C	2/3 x 2,5 mm <sup>2</sup> -0-	1,5
Y3653WA	(individually packed incl. TWT3653WA)						

## LIGHT DISTRIBUTION TABLES

### Emergency lighting for open areas (ceiling mounting)

Table of 0,5 lux for open areas according to the norm EN 1838, 0,5 m edge district is considered in the table.  
Level of measurement 0,02 m, measurement result with battery operation.



R1 distance from wall (X axis) | R2 installation distance between lights (X axis) | R3 installation distance between lights (Y axis) | R4 distance from wall (Y axis)

TWT3652WA, TWT3653WA

Mounting height (m)	Below the light (lux)	R1 (m)	R2 (m)	R3 (m)	R4 (m)
		0,5 lux	0,5 lux	0,5 lux	0,5 lux
4	25	5,5	10	10	5,5
6	11	6,5	12	12	6,5
8	6	7,5	14	14	7,5
10	4	7,5	14	14	7,5
12	2,5	8	15	15	8
14	2	8,5	16	16	8,5
16	1,5	8,5	16	16	8,5

# SOLID ZONE MIDBAY



## SELF-CONTAINED LUMINAIRES WITH BATTERY

### SELF-CONTAINED EMERGENCY LIGHTS WITH 1 H BATTERY AND SELF-TESTING



Product code	Nominal supply voltage	Max input power	Luminous flux (lm)	Operation mode	Temperature range	Electrical installation	Weight (kg)
TWT3652WM	220-240 V, 50/60 Hz AC		450	1 h battery + M	0... +35°C	2/3 x 2,5 mm <sup>2</sup> -o-	1,5
Y3652WM	(individually packed incl. TWT3652WM)						

### SELF-CONTAINED EMERGENCY LIGHTS WITH 3 H BATTERY AND SELF-TESTING



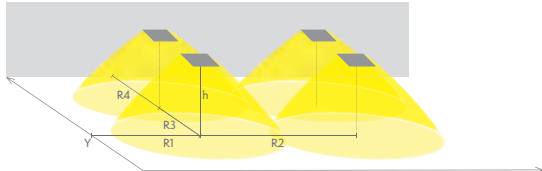
Product code	Nominal supply voltage	Max input power	Luminous flux (lm)	Operation mode	Temperature range	Electrical installation	Weight (kg)
TWT3653WM	220-240 V, 50/60 Hz AC		450	3 h battery + M	0... +35°C	2/3 x 2,5 mm <sup>2</sup> -o-	1,5
Y3653WM	(individually packed incl. TWT3653WM)						

## LIGHT DISTRIBUTION TABLES

### Emergency lighting for open areas (ceiling mounting)

Table of 0,5 lux for open areas according to the norm EN 1838.  
0,5 m edge district is considered in the table.

Level of measurement 0,02 m, measurement result with battery operation.



R1 distance from wall (X axis) | R2 installation distance between lights (X axis)  
R3 installation distance between lights (Y axis) | R4 distance from wall (Y axis)

TWT3652WM, TWT3653WM

Mounting height (m)	Below the light (lux)	R1 (m)	R2 (m)	R3 (m)	R4 (m)
		0,5 lux	0,5 lux	0,5 lux	0,5 lux
4	25	5,5	10	10	5,5
6	11	6,5	12	12	6,5
8	6	7,5	14	14	7,5
10	4	7,5	14	14	7,5
12	2,5	8	15	15	8
14	2	8,5	16	16	8,5
16	1,5	8,5	16	16	8,5